



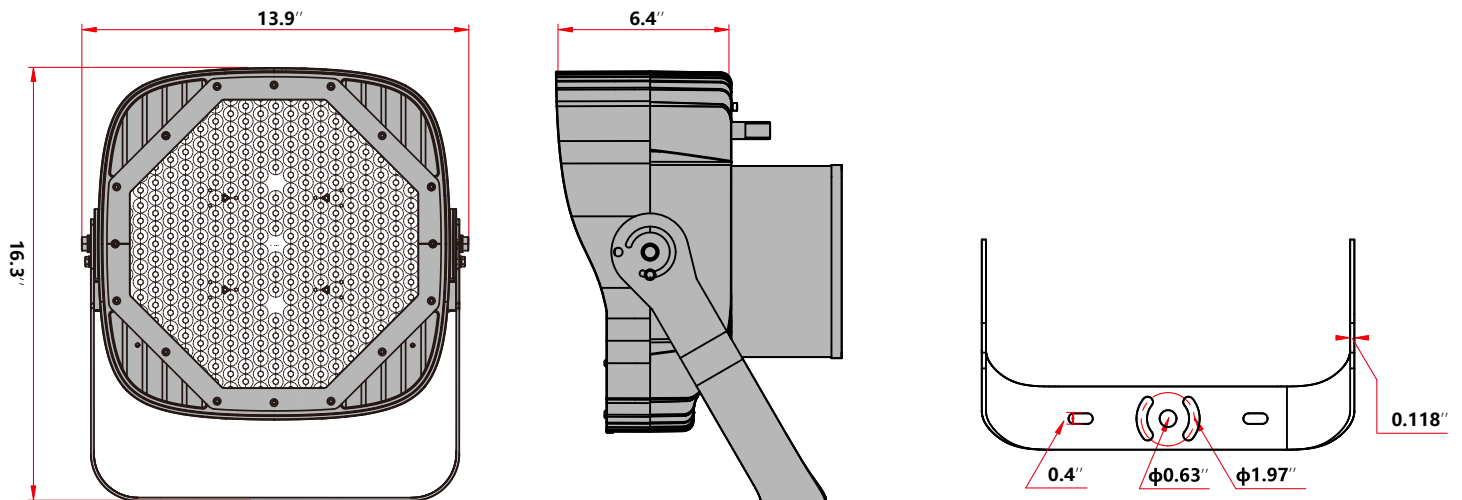
G4 LED STADIUM LIGHTING

300W, 400W, 500W, 600W

FEATURES

- Very low windage area (EPA)
- Only 13.9 inches in diameter can easily replace HID / MH / HPS fixtures on existing poles, wiring and mounting arms
- One PCB board design, better glare control with our quality Lens
- Light weight design ensures less force on poles
- Unique hollow design for excellent heat dissipation

DIMENSION & WEIGHT



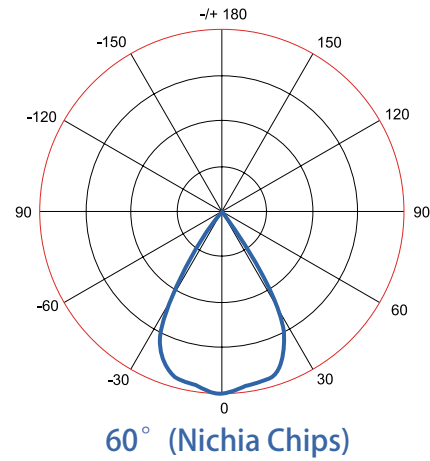
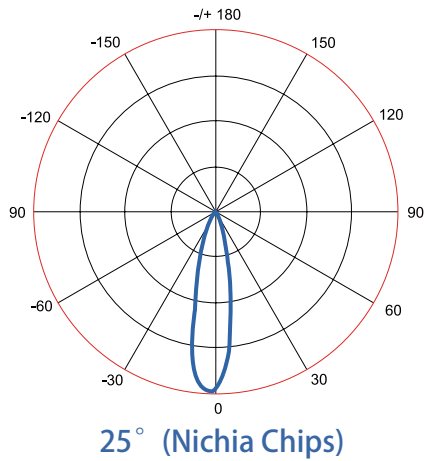
FIXTURE WEIGHT : 39.6 lbs (With Drivers)

- Standard thickness for the U-Bracket is 0.118" , other thickness need to be customized.

Shinetoos Lighting USA LLC

Add:708-710 Armstrong Dr, Buffalo Grove, IL60089
Ph : (224)567-8070 M:(847)899-1678
Email:Sales@shine2sportslighting.com

PHOTOMETRICS



ORDERING INFORMATION

EXAMPLE PART #: ST-G4-RSL - 300 - NICHIA - MEANWELL - 3K-70-25° - 100/277V

SERIES	WATTS	LED LIGHT SOURCE	DRIVER	CCT	CRI	LENS	INPUT POWER
ST-G4-RSL	300	NICHIA	MEANWELL	3K-3000k	70	25°	100-277V
	400	OSRAM	INVENTRONICS	4K-4000k	80	60°	180-528V (Optional)
	500			5K-5000k	90		
	600			5.7K-5700k			
				6.5K-6500k			

SPECIFICATIONS

Beam Angle | 25° / 60°

Lumen Output | 42,000LM / 56,000LM
70,000LM / 84,000LM

OPERATING TEMPERATURE | -104°F to 122°F

IP RATING | Standard with IP 65, IP66 is optional

LIFE TIME | 50,000hours

LISTINGS

ETL Listed

DLC Listed

Other Details

Fixture Material | Aluminum

Mounting | Standard with U-Bracket, Slip Fitter and other
adpters/arms can be customized

Color | Stardard with Grey, Other colors can be customzied
after confirmed RAL number

Warranty | Standard with 5 years, 7 / 10 Years can be customzied

EPA | 0.45 ft² — 0.94 ft²

SPARE PARTS (Order accessories as separate part number from your Fixture Model No.)



VGS: Visor Glare Shield



Remote Drivers

Distance from Luminaire May Not Exceed 100' .
Standard Remote Driver Distance from Luminaire is 6'
unless Otherwise Specified.



Adapters

NOTE: We can customize different
types adapters and arms.

ADJUSTABLE MOUNT



15° — 165°



Adjustable loop mounting bracket rotates 15° — 165° for convenient optical control and easy replacement of existing fixture installations.