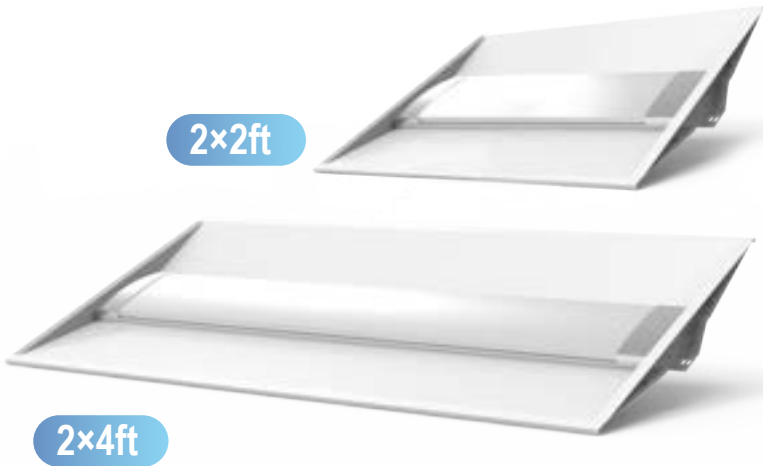




LED TROFFER FIXTURES

24W, 30W, 36W, 50W

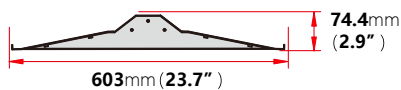
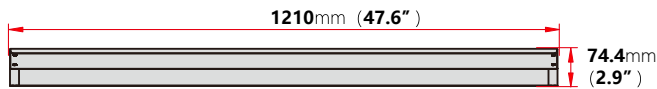
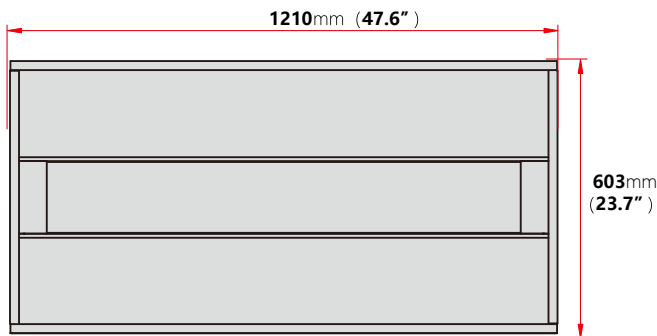


APPLICATIONS

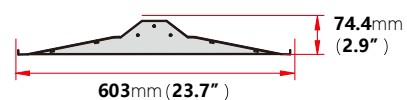
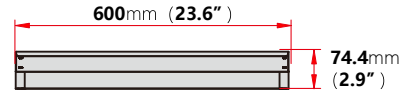
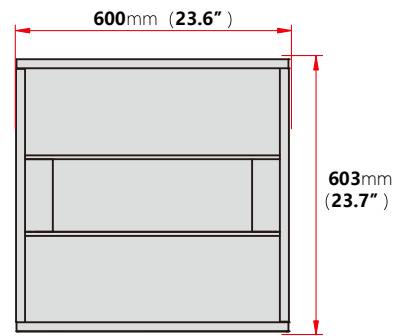
- Warehouse
- Car Washes
- Commercial
- Industrial
- Office

DIMENSION

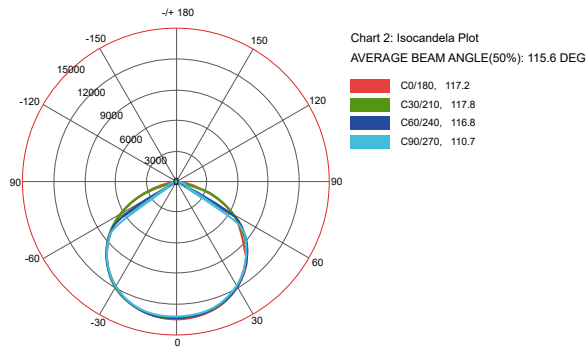
2x4ft



2x2ft



PHOTOMETRICS



ORDERING INFORMATION

EXAMPLE PART #: ST-LTL - 24 - Philips - Shinetoo - 4K - 70 - 100/277V

ST-LTL		Philips	Shinetoos			100-277V
SERIES	WATTS	LED LIGHT SOURCE	DRIVER	CCT	CRI	INPUT POWER
ST-LTL	24 30 36 50	Philips	Shinetoos	4K-4000k 5K-5000k	70 80	100-277V

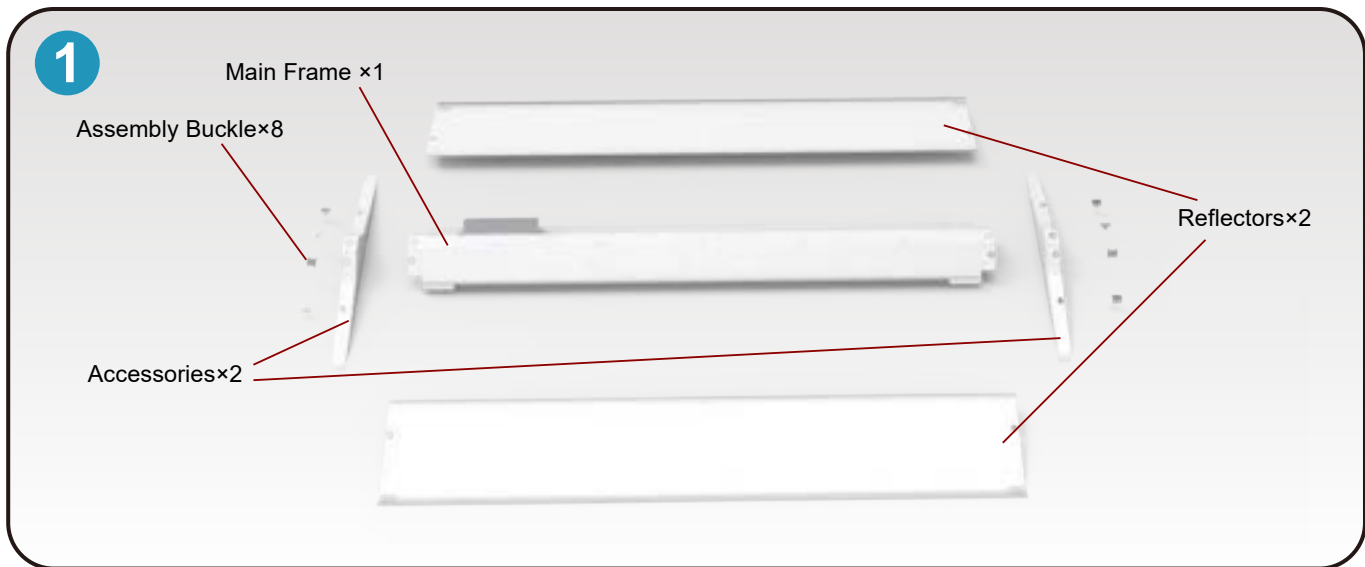
SPECIFICATIONS

Beam Angle | 120°
Lumen Output | 2,880LM / 4,320LM
OPERATING TEMPERATURE | -40°C to 50°C
IP RATING | IP 20
LIFE TIME | 50,000hours

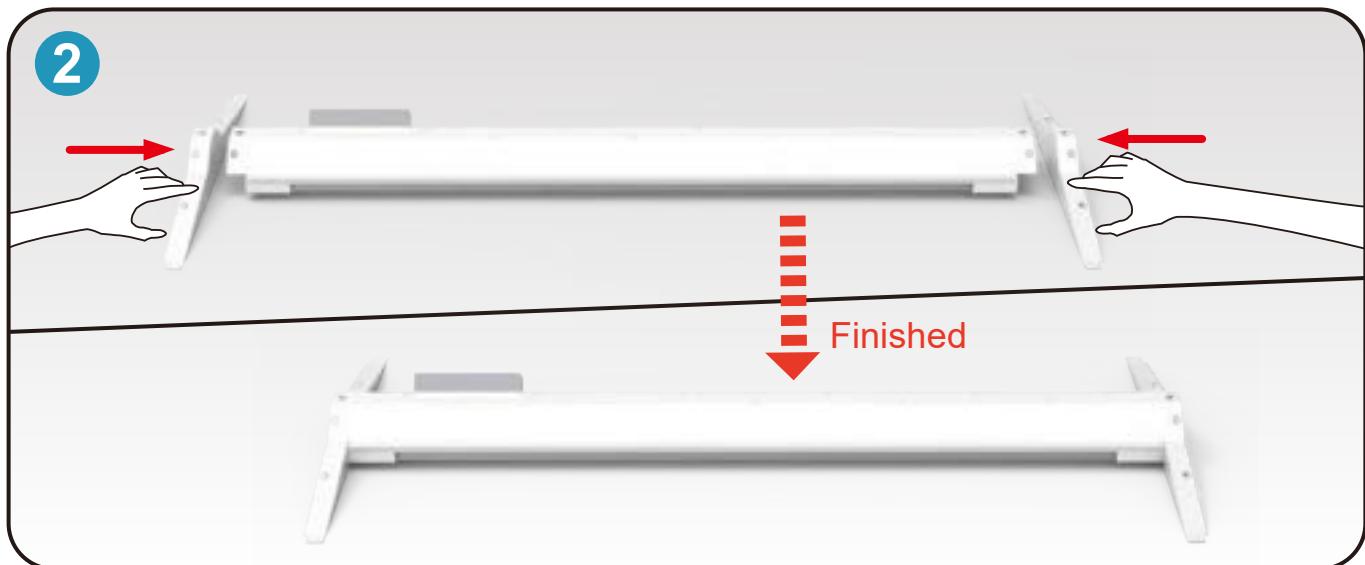
Other Details

Fixture Material | Steel
Color | Standard with White, Other colors can be customized after confirmed RAL number

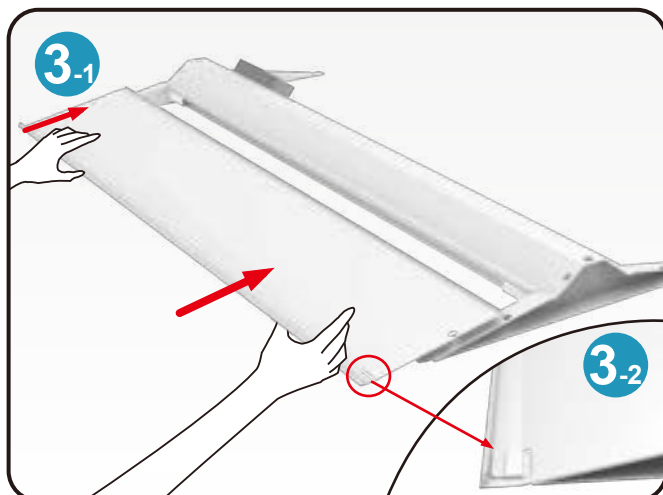
How to assemble the LED Troffer Fixtures 2×4ft?



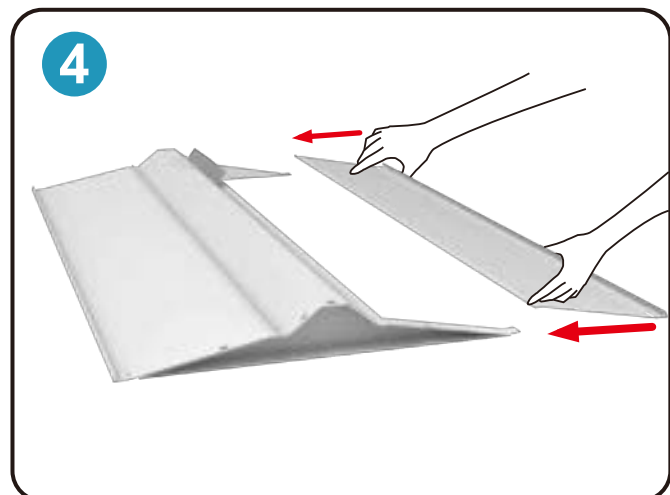
Step 1 Unpack the carton and check the quantity of items.



Step 2 Put two Accessories on either side of Main Frame.

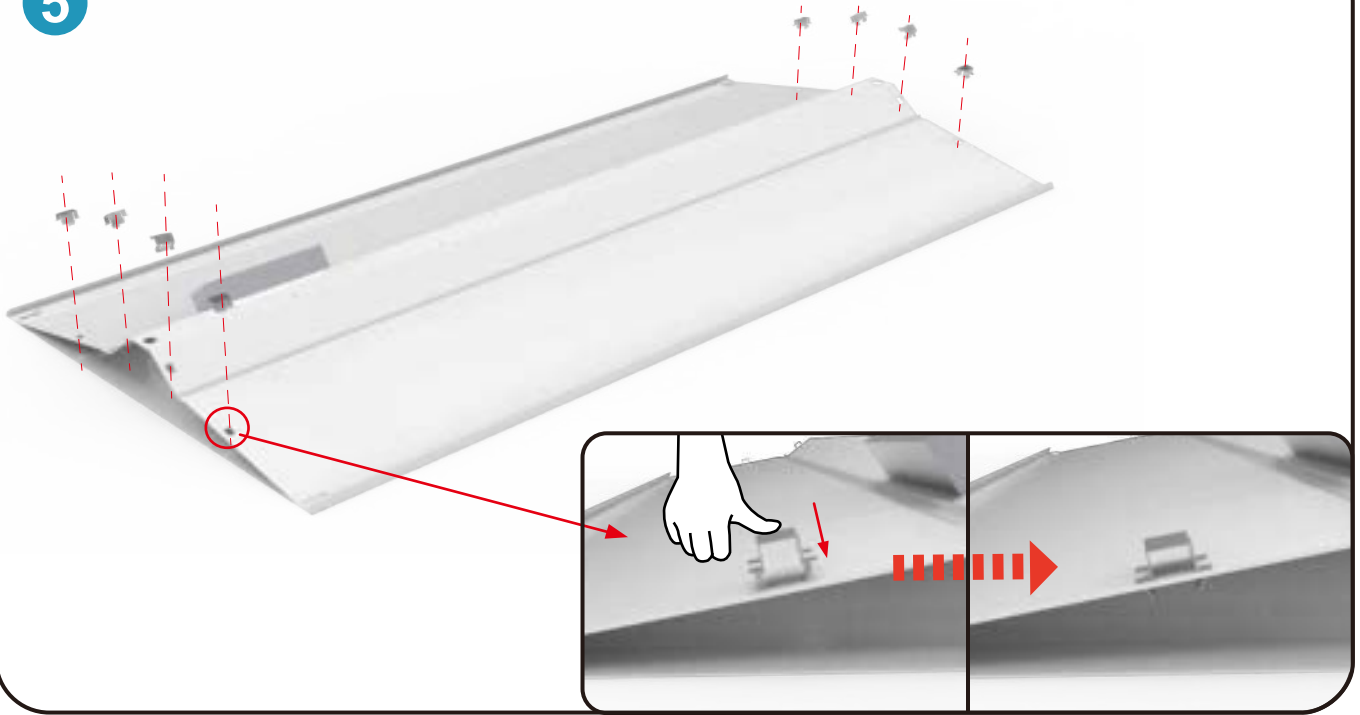


Step 3 Push the Reflectors forward, so that the buckle through the holes on both sides.



Step 4 This end is also installed in the same way as before.

5

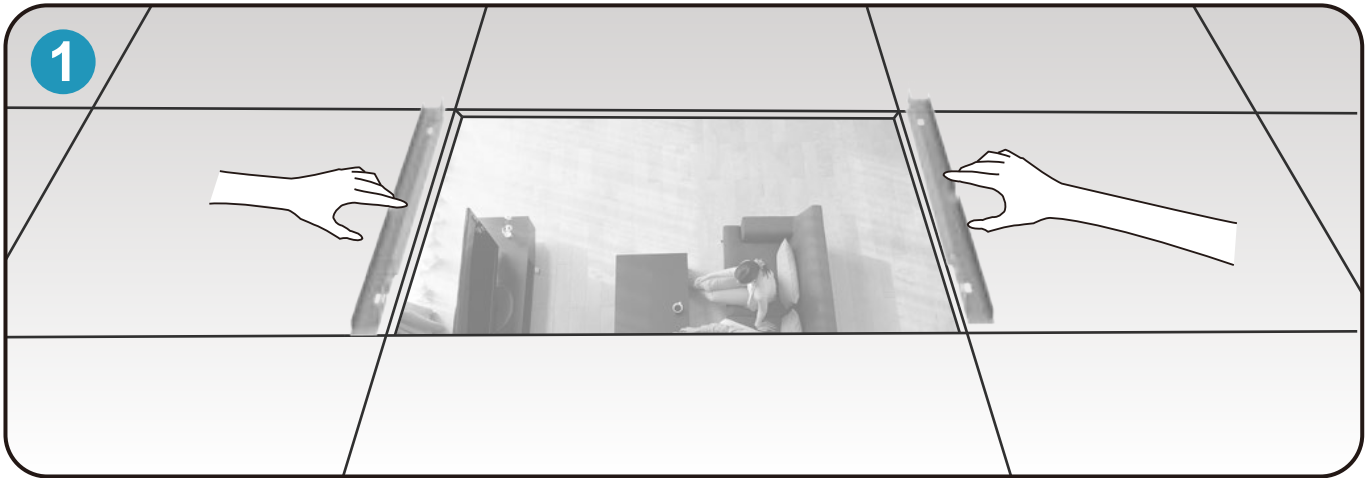


Step 5 Take 8 Assembly Buckles and dig them into the LED Troffer Fixtures with your fingers.

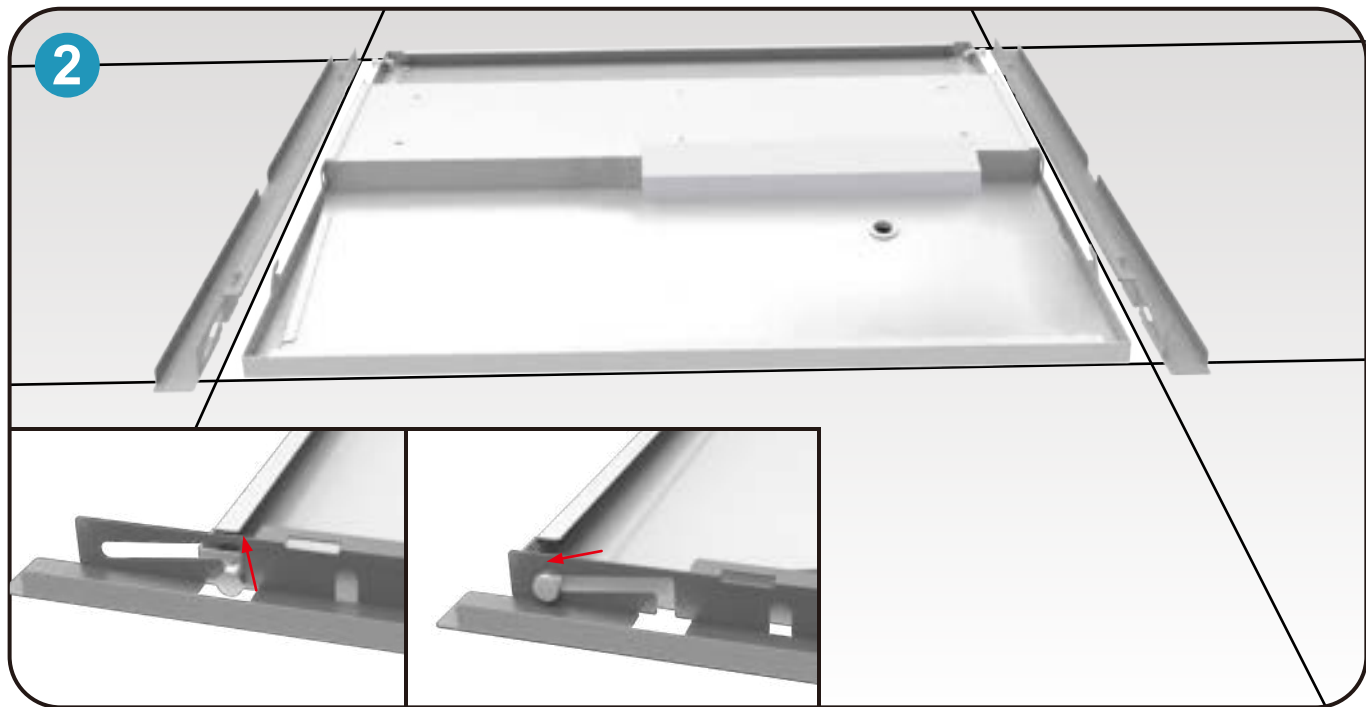
6



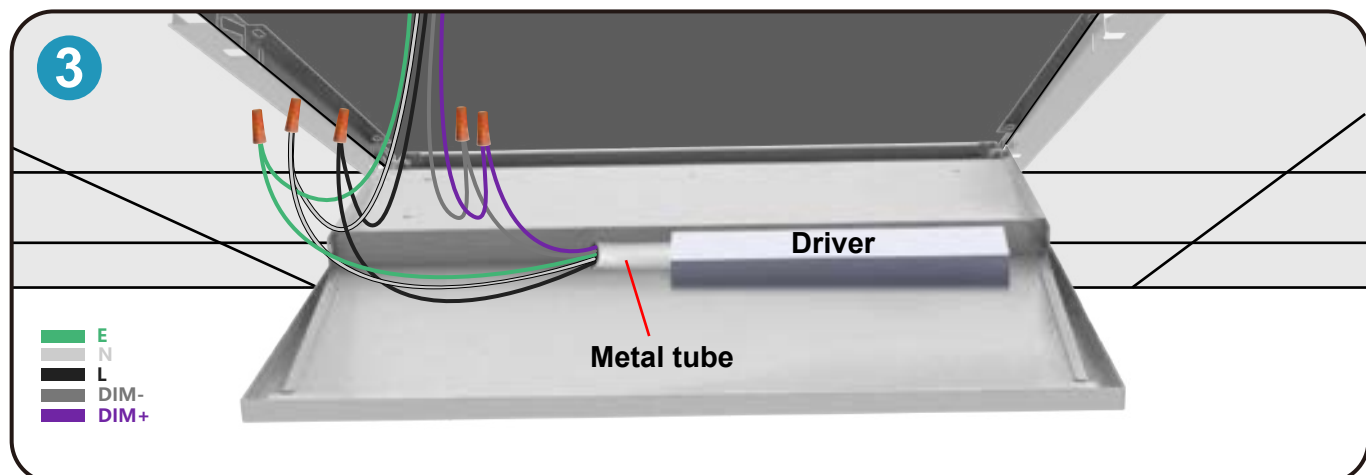
Step 6 The installation is complete.



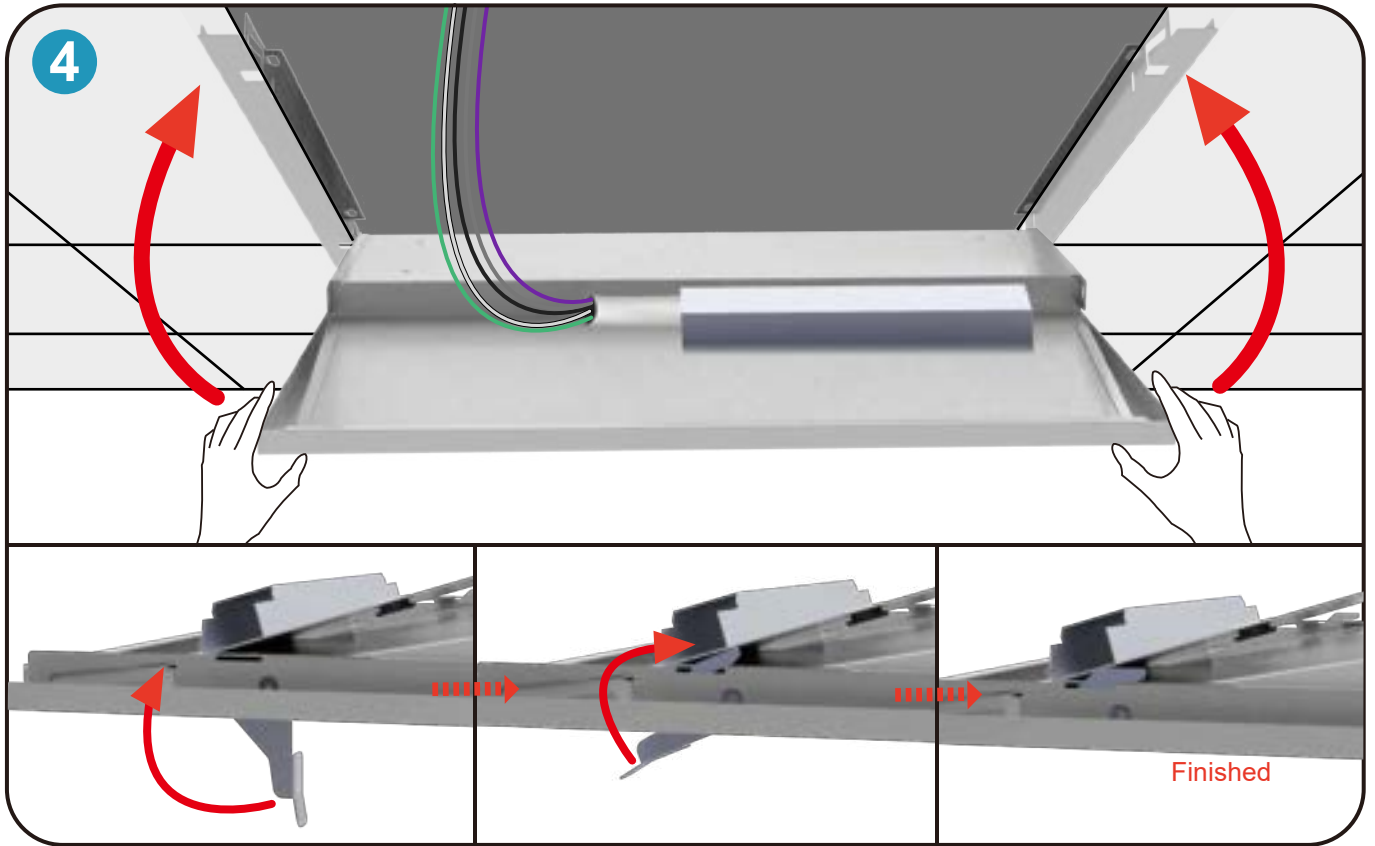
Step 1 Shut off the power, Place two fittings on top laminate.



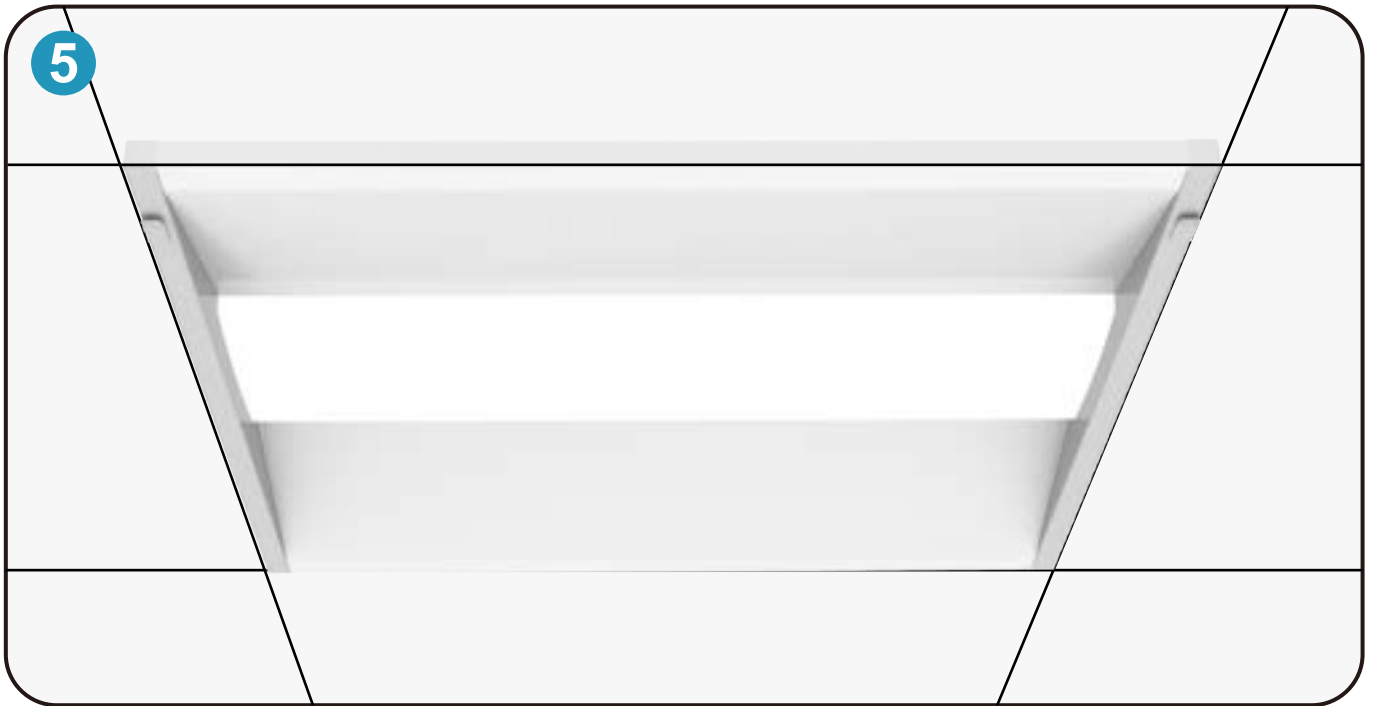
Step 2 Install the front end of the LED Troffer Fixtures as shown in the picture.



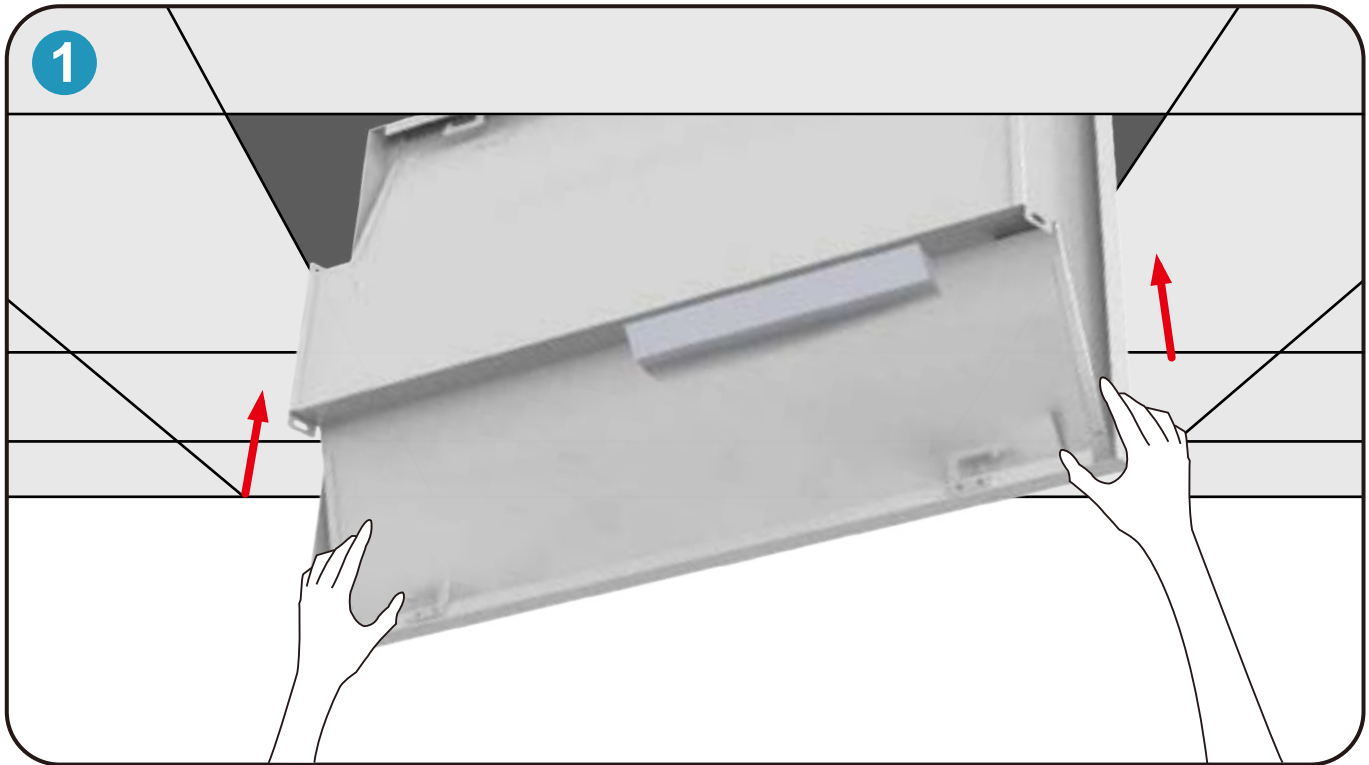
Step 3 2 live wires are connected together, 2 ground wires are connected together, and 2 neutral wires are connected together.



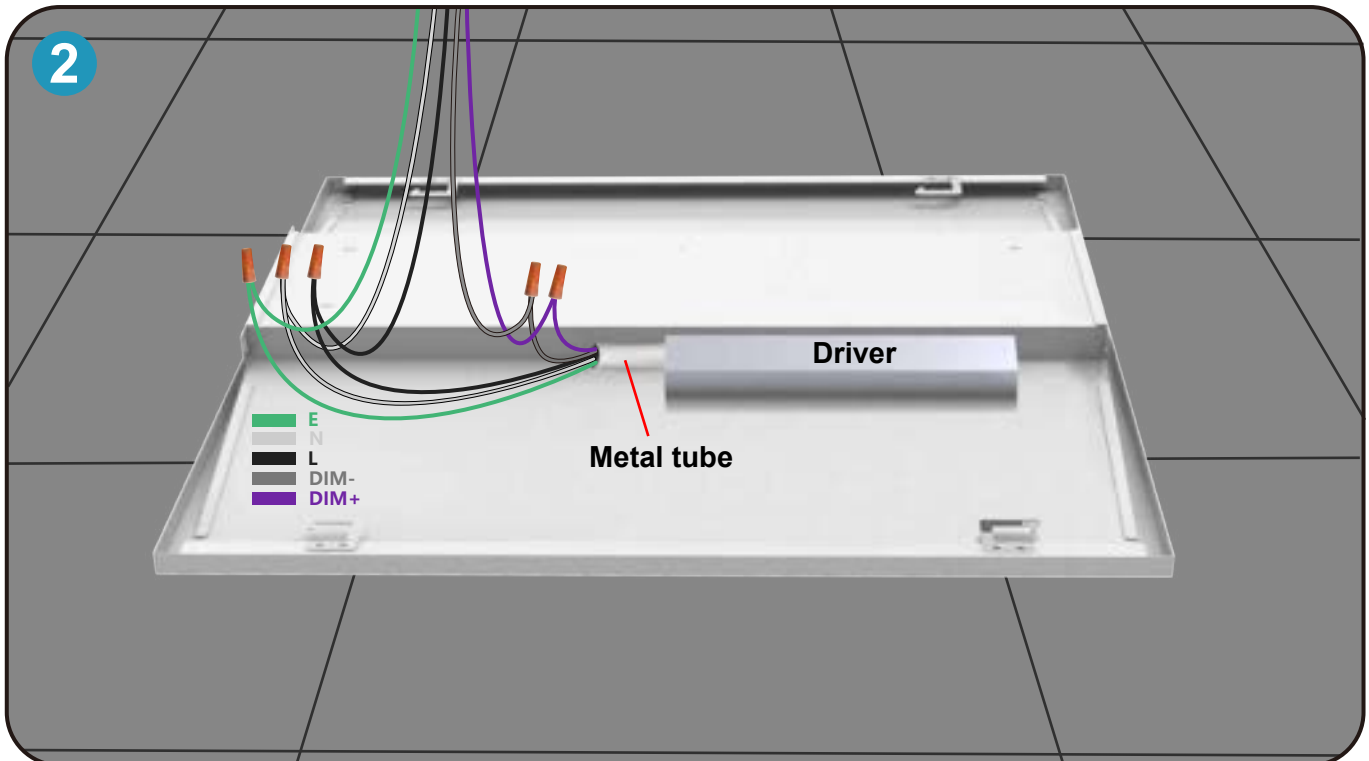
Step 4 Slowly push the LED Troffer Fixtures up and buckle the two ends of the card.



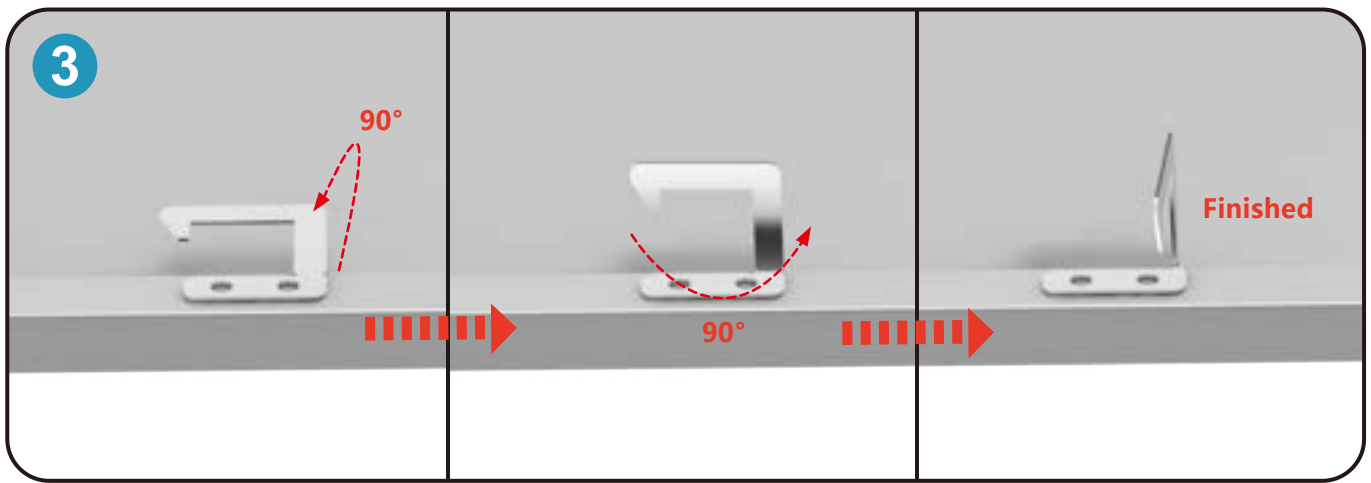
Step 5 Turn on the power and lights to complete the installation.



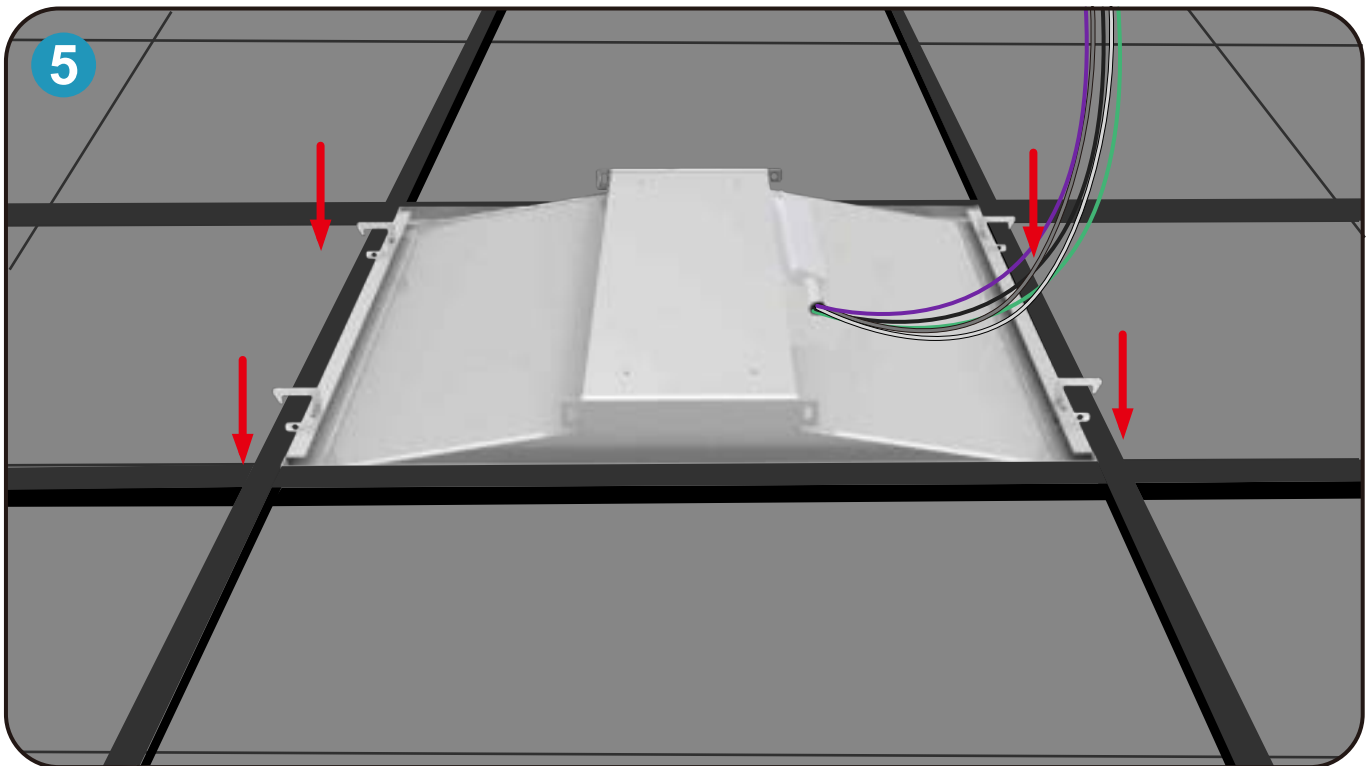
Step 1 Turn off the power and place the entire lamp in the ceiling panel.



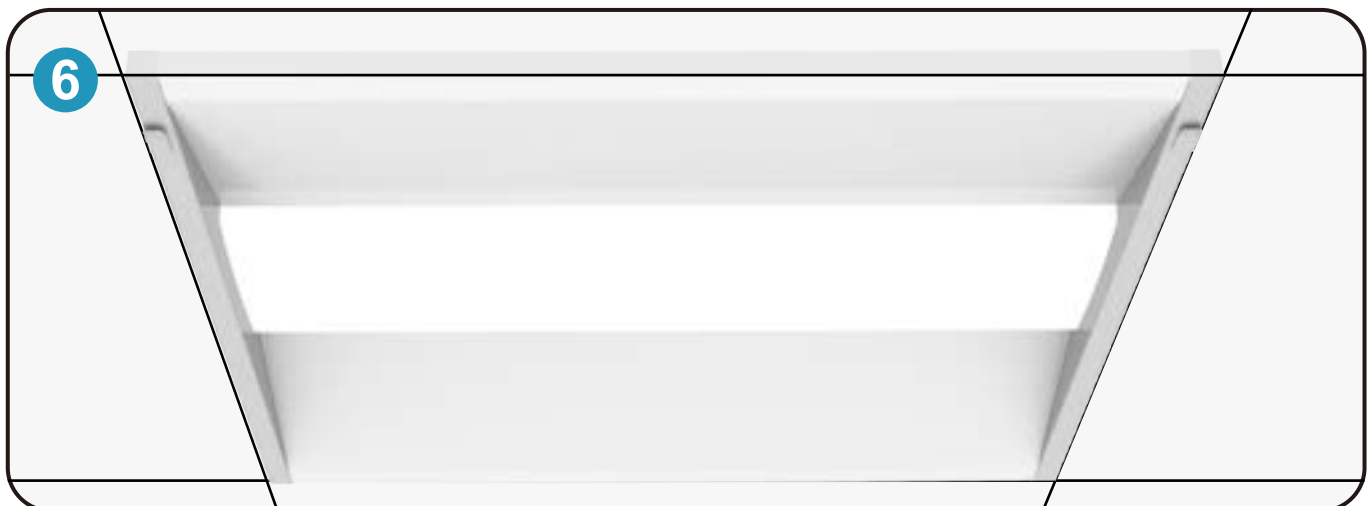
Step 2 2 live wires are connected together, 2 ground wires are connected together, and 2 neutral wires are connected together.



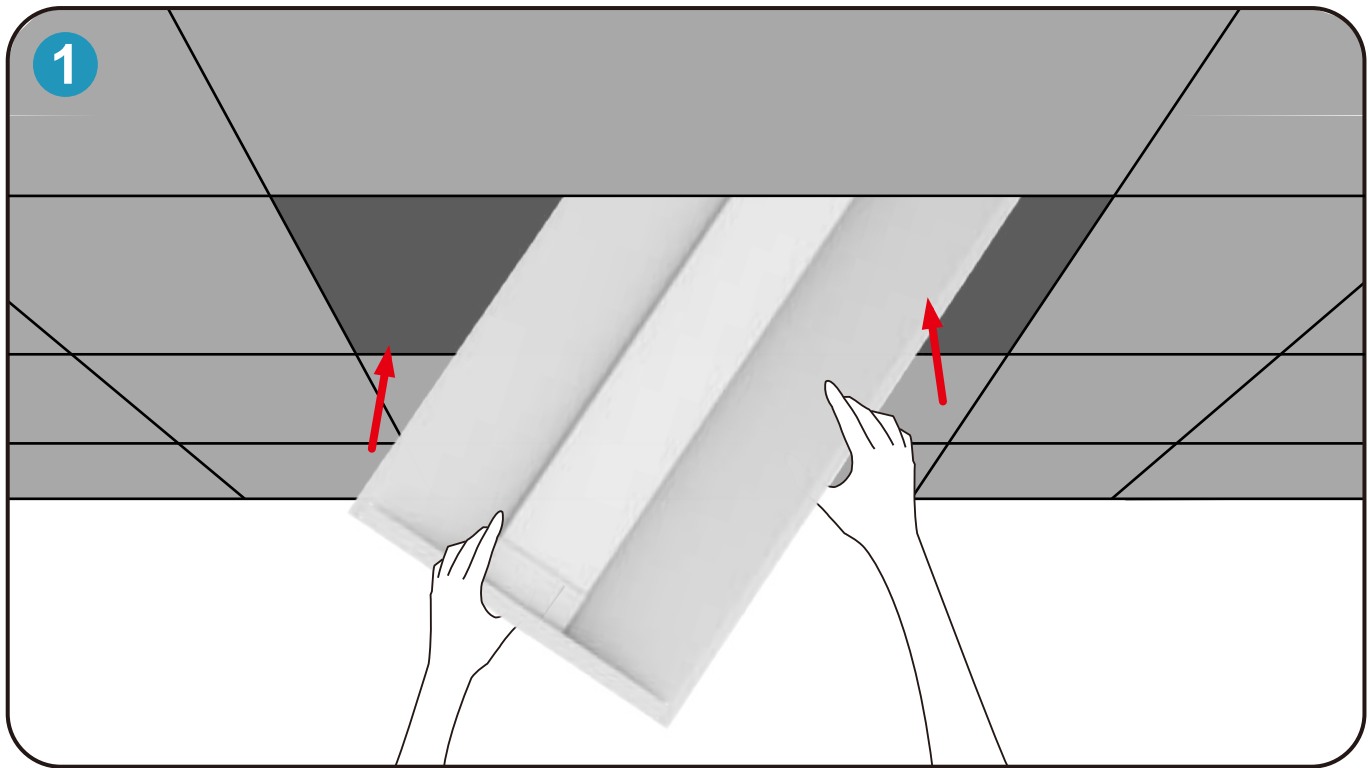
Step 3 Move the part 90 degrees up and 90 degrees to the right, as shown in the picture, and do the same for the other 3 sides.



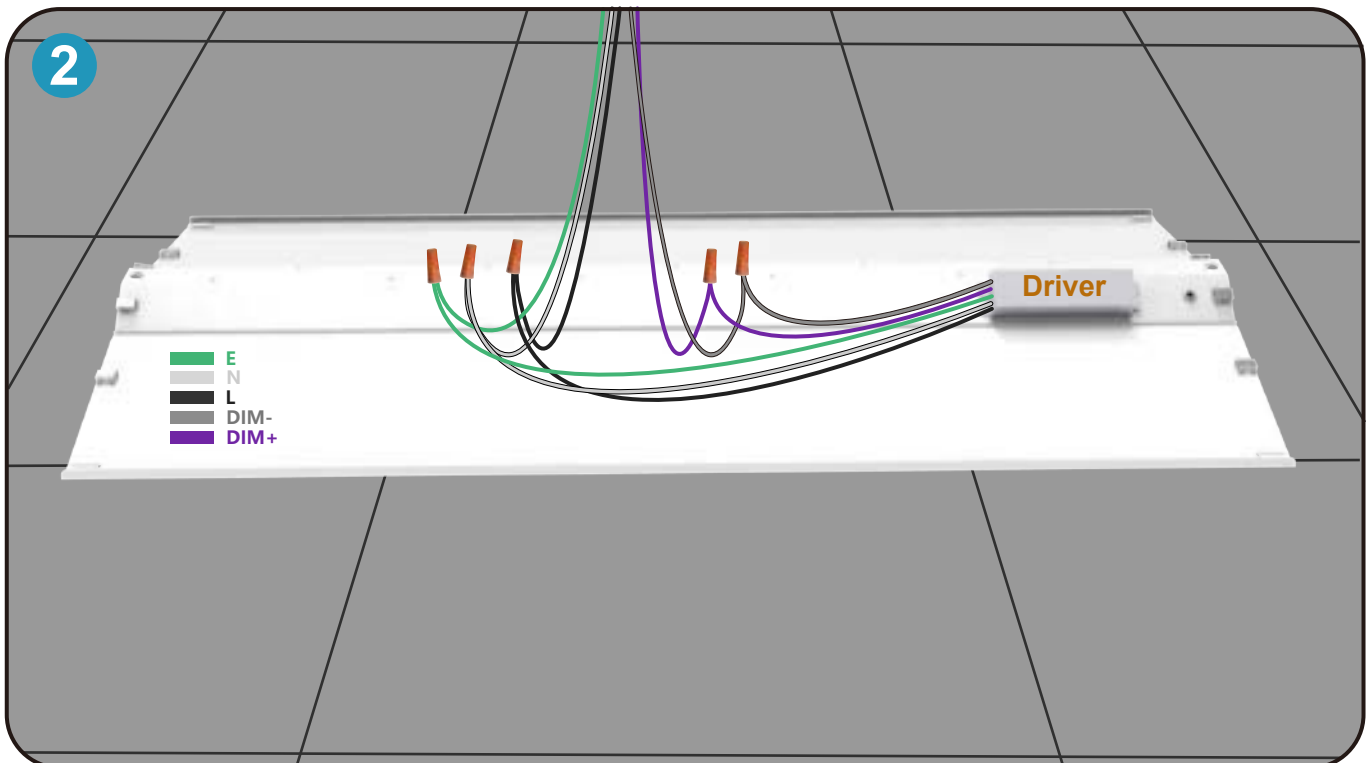
Step 4 Put LED Troffer Fixtures on the top shelf.



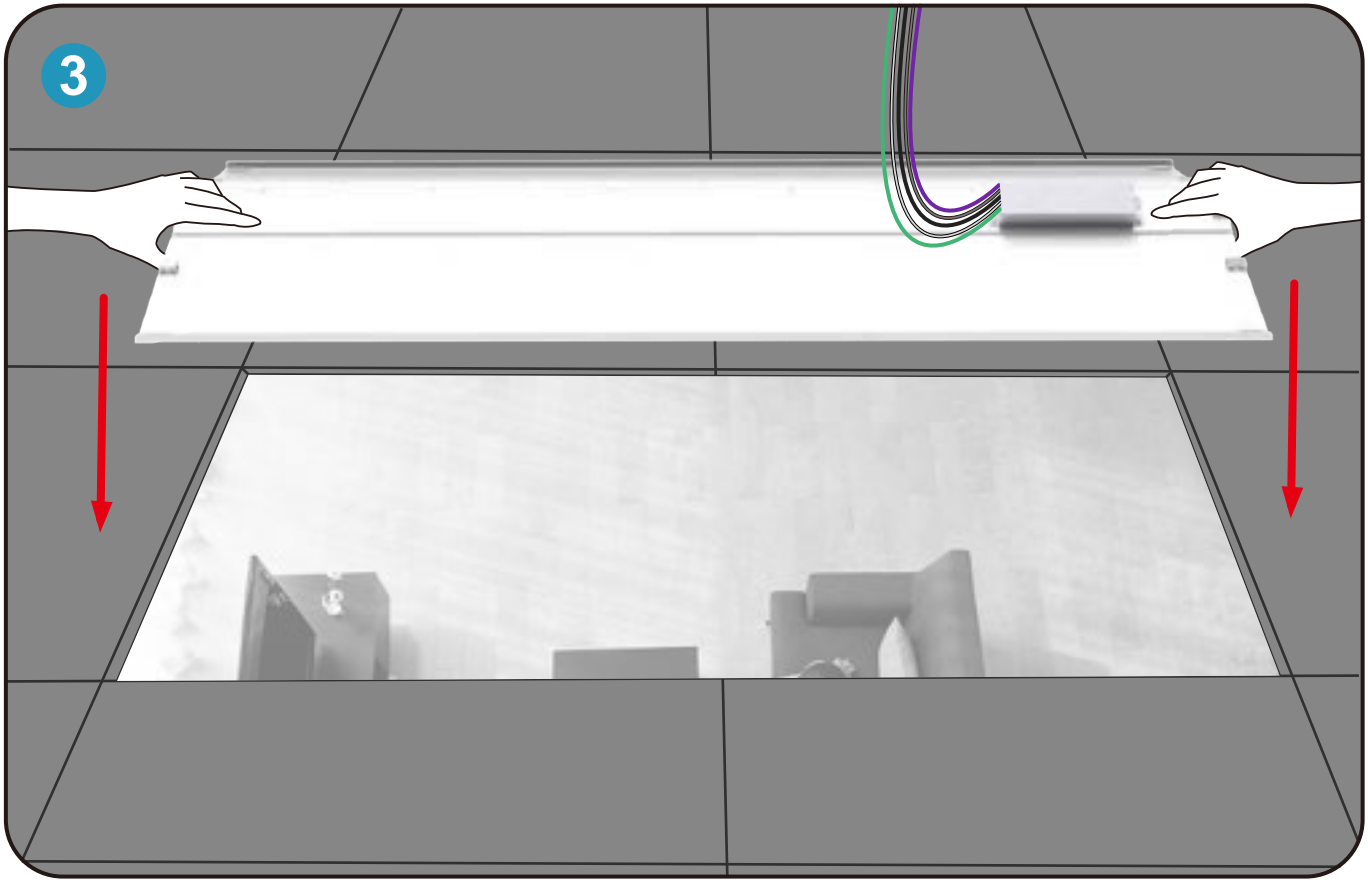
Step 5 Turn on the power and lights to complete the installation.



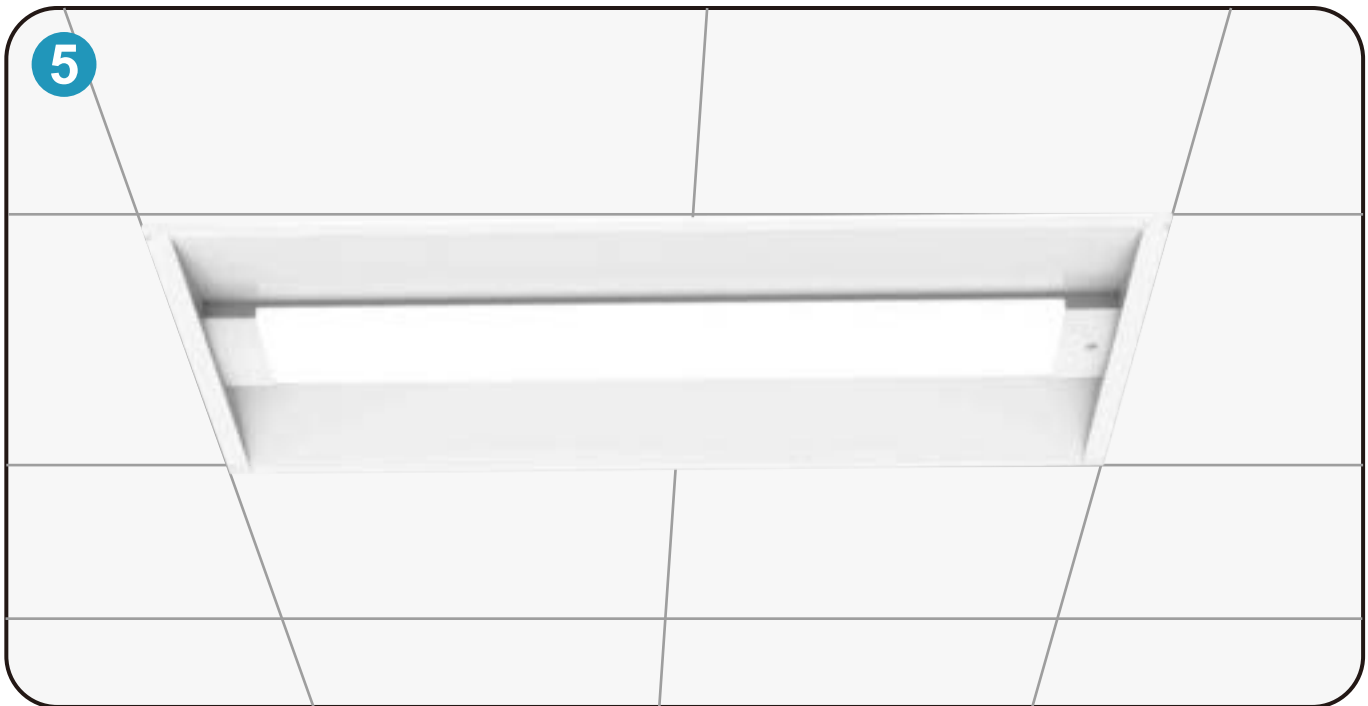
Step 1 Turn off the power and place the entire lamp in the ceiling panel.



Step 2 2 live wires are connected together, 2 ground wires are connected together, and 2 neutral wires are connected together.



Step 3 Put LED Troffer Fixtures on the top shelf.



Step 4 Turn on the power and lights to complete the installation.